



Product Description: T370XW02_V1 TFT-LCD PANEL			
-----			
AUO Model Name: T370XW02 V1			
Customer Part No/Project Name:			
Customer Signature	Date	AUO	Date
		Approved By:	
		Reviewed By:	
		Prepared By: Andrew Liang	



*Document Version: 0.4*

*Date: 2006/6/29*

## **Product Specifications**

**37.0" WXGA Color TFT-LCD Module**

**Model Name: T370XW02**

**V.1**

**( ) Preliminary Specifications**

**(\* ) Final Specifications**

Note: This Specification is subject to change without notice.



## Contents

No	ITEM
	COVER
	CONTENTS
	RECORD OF REVISIONS
1	GENERAL DESCRIPTION
2	ABSOLUTE MAXIMUM RATINGS
3	ELECTRICAL SPECIFICATIONS
3-1	ELECTRICAL CHARACTERISTICS
3-2	INTERFACE CONNECTIONS
3-3	INPUT TIMING SPECIFICATIONS
3-4	SIGNAL TIMING WAVEFORMS
3-5	COLOR INPUT DATA REFERENCE
3-6	POWER SEQUENCE
4	OPTICAL SPECIFICATIONS
5	MECHANICAL CHARACTERISTICS
6	RELIABILITY
7	INTERNATIONAL STANDARDS
7-1	SAFETY
7-2	EMC
8	PACKING
9	PRECAUTIONS





## 1. General Description

This specification applies to the 37.0 inch Color TFT-LCD Module T370XW02 V1. This LCD module has a TFT active matrix type liquid crystal panel 1366x768 pixels, and diagonal size of 37.0 inch. This module supports 1366x768 XGA-Wide mode (Non-interlace).

Each pixel is divided into Red, Green and Blue sub-pixels or dots which are arranged in vertical stripes. Gray scale or the brightness of the sub-pixel color is determined with a 8-bit gray scale signal for each dot.

The T370XW02 V1 has been designed to apply the 8-bit 2 channel LVDS interface to support 120Hz signal operation. It is intended to support displays where high brightness, wide viewing angle, high color saturation, and high color depth are very important.

### \* General Information

Items	Specification	Unit	Note
Active Screen Size	37.02	Inches	
Display Area	819.6 (H) x 460.8(V)	mm	
Outline Dimension	877.0(H) x 514.6(V) x 54.7(D)	mm	With inverter
Driver Element	a-Si TFT active matrix		
Display Colors	16.7M	Colors	
Number of Pixels	1366x768	Pixel	
Pixel Arrangement	RGB vertical stripe		
Pixel pitch	0.6(H) x 0.6(W)		
Surface Treatment	Hard-Coating (3H), Anti-Glare		



## 2. Absolute Maximum Ratings

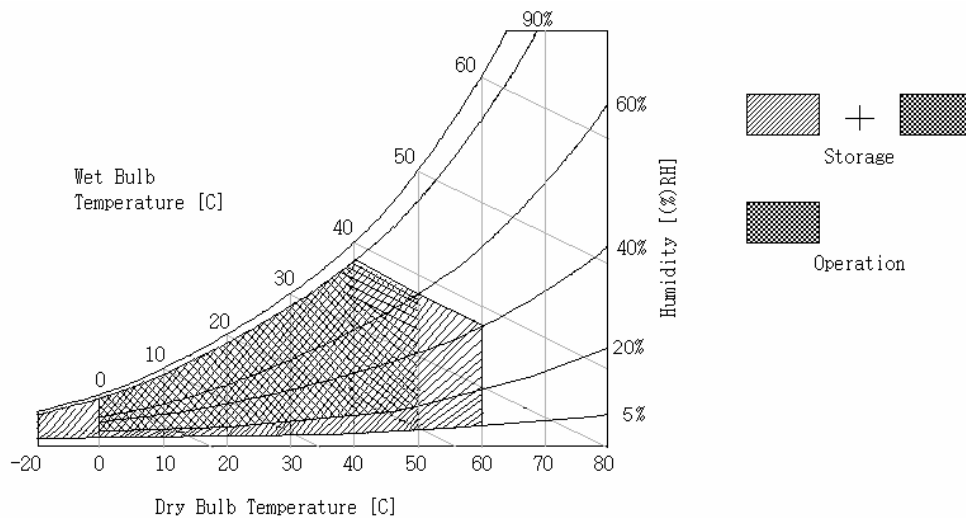
The following are maximum values which, if exceeded, may cause faulty operation or damage to the unit.

Parameter	Symbol	Min.	Max.	Unit	Note
Logic/LCD Driving Voltage	$V_{LCD}$	-0.3	14	V.	1
Input Voltage of Signal	$V_{in}$	-0.3	4	V.	1
BLU Input Voltage	$V_{BL}$	-0.3	27	V	1
BLU Control Voltage	$BL_{ON}$	-0.3	7.0	V	1
Operating Temperature	$T_{OP}$	0	50	°C	2
Storage Temperature	$H_{ST}$	-20	60	°C	2
Operating Ambient Humidity	$H_{OP}$	10	90	%RH	2
Storage Humidity	$H_{ST}$	10	90	%RH	2

Note 1 : Duration = 50msec

Note 2 : Maximum Wet-Bulb should be 39°C and No condensation.

The relative humidity must not exceed 90% non-condensing at temperatures of 40°C or less. At temperatures greater than 40°C, the wet bulb temperature must not exceed 39°C.





### 3. Electrical Specification

#### 3-1 Electrical Characteristics

The T370XW02 V1 requires two power inputs. One is employed to power the LCD electronics and to drive the TFT array and liquid crystal. The second input which powers the CCFL, is typically generated by an inverter.

Parameter	Symbol	Value			Unit	Note
		Min.	Typ.	Max.		
LCD						
Power Supply Input Voltage	$V_{LCD}$	10.8	12.0	13.2	V.	
Power Supply Input Current	$I_{LCD}$	-	0.97	1.16	A.	1
Power Consumption	$P_C$	-	11.6	14	W	1
Inrush Current	$I_{RUSH}$	-	4	6	A	2
Backlight Power Consumption		-	130	149.5	W	
Lamp Life Time		50000	60,000		hr	3

**Note :**

1.  $V_{CC}=12.0V$ ,  $f_v = 120Hz$ ,  $f_{CLK}=73Mhz$ ,  $25^{\circ}C$ , Test pattern : white pattern.
2. Duration = 400 *ms*
3. Do not attach a conducting tape to lamp connecting wire. If the lamp wire attach to conducting tape, TFT-LCD Module have a low luminance and the inverter has abnormal action because leakage current occurs between lamp wire and conducting tape.
4. The relative humidity must not exceed 80% non-condensing at temperatures of  $40^{\circ}C$  or less. At temperatures greater than  $40^{\circ}C$ , the wet bulb temperature must not exceed  $39^{\circ}C$ . When operate at low temperatures, the brightness of CCFL will drop and the life time of CCFL will be reduced.



### 3-2 Interface Connections

- LCD connector : JAE FI-RE51S-HF
- LVDS Transmitter: DS90C385 (NS) or equivalent

Pin	Symbol	Description	Pin	Symbol	Description
1	Power	DC 12V	26	RE[0]P	Even LVDS Signal +
2	Power	DC 12V	27	RE[1]N	Even LVDS Signal -
3	Power	DC 12V	28	RE[1]P	Even LVDS Signal +
4	Power	DC 12V	29	RE[2]N	Even LVDS Signal -
5	Power	DC 12V	30	RE[2]P	Even LVDS Signal +
6	GND	GND	31	GND	GND
7	GND	GND	32	RECLK-	Even LVDS Clock -
8	GND	GND	33	RECLK+	Even LVDS Clock +
9	GND	GND	34	GND	GND
10	RO[0]N	Odd LVDS Signal -	35	RE[3]N	Even LVDS Signal -
11	RO[0]P	Odd LVDS Signal +	36	RE[3]P	Even LVDS Signal +
12	RO[1]N	Odd LVDS Signal -	37	NC	NC
13	RO[1]P	Odd LVDS Signal +	38	NC	NC
14	RO[2]N	Odd LVDS Signal -	39	GND	GND
15	RO[2]P	Odd LVDS Signal +	40	NC	NC
16	GND	GND	41	NC	NC
17	ROCLK-	Odd LVDS Clock -	42	NC	NC
18	ROCLK+	Odd LVDS Clock +	43	NC	NC
19	GND	GND	44	NC	NC
20	RO[3]N	Odd LVDS Signal -	45	LVDS_SEL	LVDS JEIDA/NS Option
21	RO[3]P	Odd LVDS Signal +	46	NC	NC
22	NC	NC	47	NC	NC
23	NC	NC	48	NC	NC
24	GND	GND	49	NC	NC
25	RE[0]N	Even LVDS Signal -	50	NC	NC
			51	NC	NC

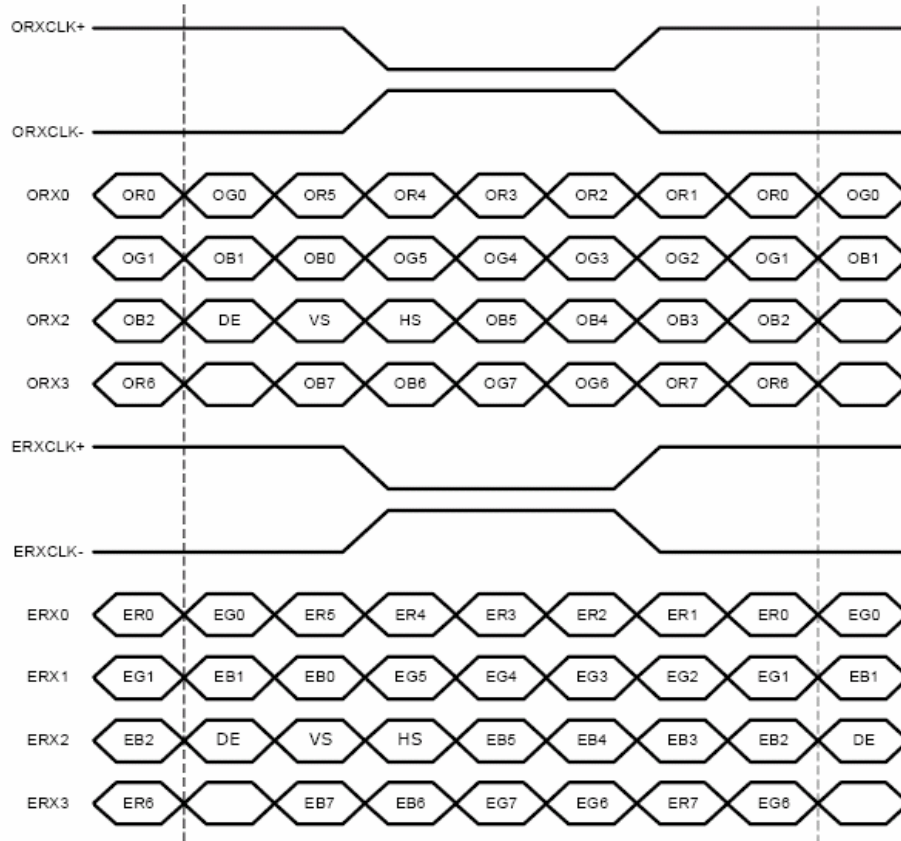
**Note:**

1. All GND (ground) pins should be connected together and should also be connected to the LCD's metal frame. All Vcc (power input) pins should be connected together.
2. High: NS mode  
Low/Open: JEIDA mode
3. Do not connect NC pins. Connecting these pins to GND or any voltage is not allowed.

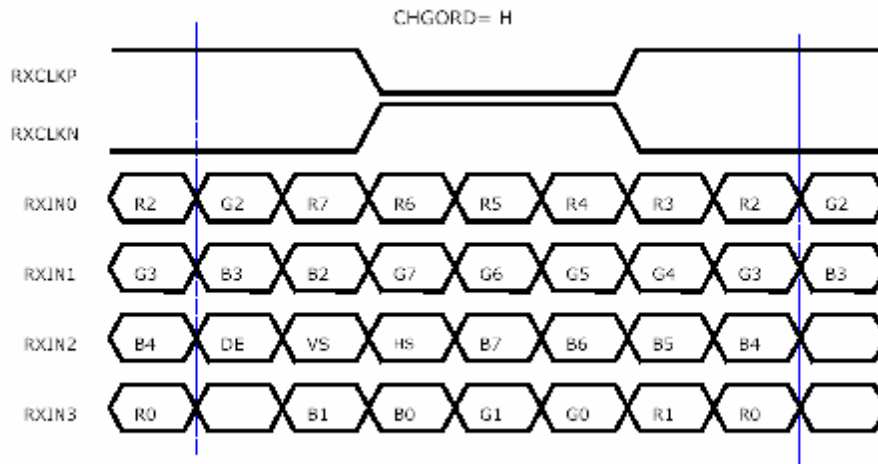


## I LVDS Data Format Selection

### 1. LVDS\_SEL = High (3.3V) NS Mode



### 2. LVDS\_SEL = Low/Open JEIDA Mode



Note: R/G/B7s are MSBs and R/G/B0s are LSBs

Note:

- u Odd data is the first priority.
- u First data is odd.



# I BACKLIGHT CONNECTOR PIN CONFIGURATION -

## 1. Electrical specification

No	Item	Symbol	Test Condition	Min	Typ	Max	Unit	Note	
1	Power Input Voltage	$V_{BL}$		21.6	24	26.4	V		
2	Power Input Current (Turn on)	$I_{BL}$	VDD=24V,DimMax	-	5.96	6.23	A		
3	Power Consumption (Turn on)	$P_{BL}$	VDD=24V,DimMax	-	143	149.5	W		
4	Power Input Current (stable)	$I_{BL}$	VDD=24V,DimMax	-	5.42	5.96	A		
5	Power Consumption (stable)	$P_{BL}$	VDD=24V,DimMax	-	130	143	W		
6	Inrush Current	$I_{RUSH}$	VDD=24V,DimMax			8.5	A	*2	
7	On/Off Control Voltage	On	$BL_{ON}$	VDD=24V	2	-	5.0	V	*3
		Off	$BL_{ON}$	VDD=24V	0	-	0.8	V	
8	DC Dimming Control	Max	Vdim	VDD=24V	-	3.3	-	V	*1
		Min	Vdim	VDD=24V	-	0	-	V	
6	Dimming Frequency	$F_{BLD}$	VDD=24V	150	-	300	Hz		
9	PWM Dimming Control	Max	E_PWM	VDD=24V	-	100	-	%	Duty Ratio
		Min	E_PWM	VDD=24V	-	30	-	%	

( $T_a=25\pm 2^{\circ}C$ )

※1: Connection of brightness control terminal

Bright control by the voltage

0V : Min. brightness

3.3V : Max. brightness

※2: Power supply rising time : min 20 ms

※3: BLON Logic

H(5V) : Back Light ON

L (0V) : Back Light OFF

OPEN : Back Light OFF



### 3. Input specification

CN1 : S14B-PH-SM3-TB(JST)

CN2 : S10B-PH-SM3-TB(JST)

No	Signal Name	Feature	No	Signal Name	Feature
1	V <sub>BL</sub>	+24V	1	V <sub>BL</sub>	+24V
2	V <sub>BL</sub>	+24V	2	V <sub>BL</sub>	+24V
3	V <sub>BL</sub>	+24V	3	V <sub>BL</sub>	+24V
4	V <sub>BL</sub>	+24V	4	V <sub>BL</sub>	+24V
5	V <sub>BL</sub>	+24V	5	V <sub>BL</sub>	+24V
6	GND	GND	6	GND	GND
7	GND	GND	7	GND	GND
8	GND	GND	8	GND	GND
9	GND	GND	9	GND	GND
10	GND	GND	10	GND	GND
11	V <sub>dim</sub>	Brightness control signal input (0V: min ~ 3.3V:Max) Open/High(3.3V) for 100% lum.			
12	BL On/Off	5V : On, 0V : Off			
13	E-PWM Dim	External PWM Dimming Control (GND : BL shutdown)			
14	SEL pin	High(2~5V) : internal PWM (pin 11) Low(0~0.8) : external PWM (pin13)			

\*<sup>1</sup> PWM SEL setting

Pin \ Setting	Pin 14 : High	Pin 14 : Low
V <sub>DIM</sub> (pin 11)	Internal PWM Dimming	Analog Dimming
E-PWM (pin13)	Disable	External PWM Dimming



### 3-3 Input Timing Specifications (DE mode only)

#### Vertical Frequency Range A

Signal	Item	Symbol	Min.	Typ.	Max.	Unit
Horizontal	Period	$T_h$	748	780	800	CLK
	Active	$T_{disp(h)}$	683			CLK
	Blanking	$T_{blk(h)}$	65	97	117	CLK
Vertical	Period	$T_v$	930	960	980	Line
	Active	$T_{disp(v)}$	768			Line
	Blanking	$T_{blk(v)}$	162	192	212	Line
CLK	Frequency	$f_{CLK}$	69.7	74.9	82.0	MHz
Line	Frequency	-	92.1	96.8	100.0	KHz
Frame	Frequency	-	98	100	102	Hz

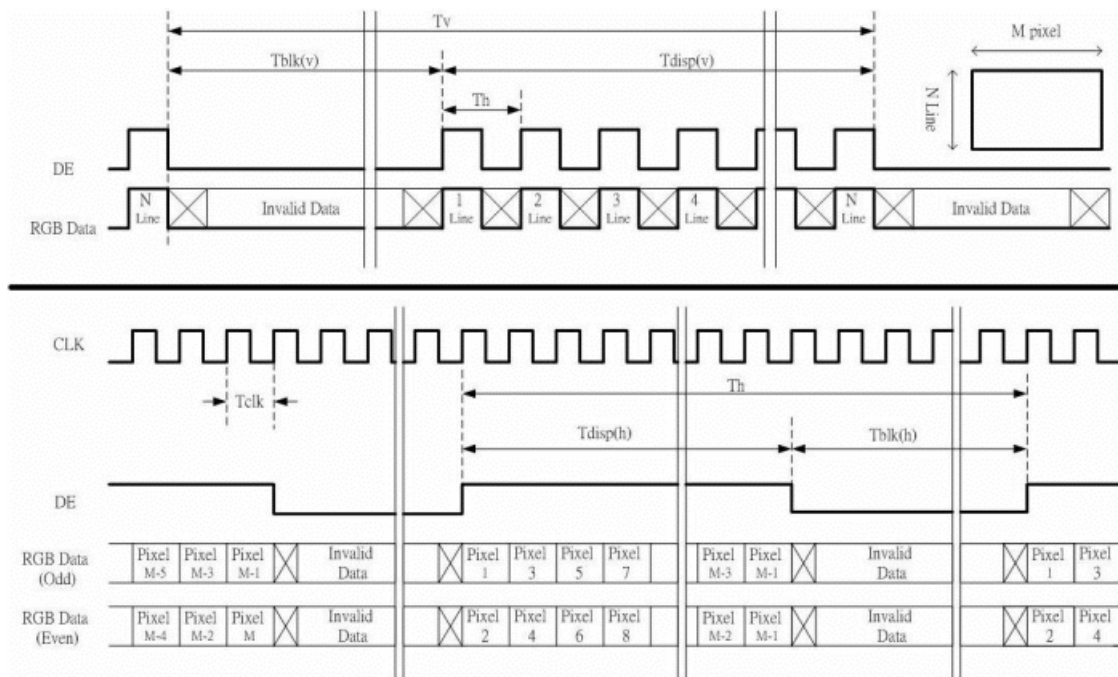
#### Vertical Frequency Range B

Signal	Item	Symbol	Min.	Typ.	Max.	Unit
Horizontal	Period	$T_h$	748	780	800	CLK
	Active	$T_{disp(h)}$	683			CLK
	Blanking	$T_{blk(h)}$	65	97	117	CLK
Vertical	Period	$T_v$	776	780	800	Line
	Active	$T_{disp(v)}$	768			Line
	Blanking	$T_{blk(v)}$	8	12	32	Line
CLK	Frequency	$f_{CLK}$	69.7	73.0	78.1	MHz
Line	Frequency	-	91.6	93.6	97.6	KHz
Frame	Frequency	-	118	120	122	Hz

- 1.) Display position is specific by the rise of DE signal only.  
Horizontal display position is specified by the rising edge of 1<sup>st</sup> CLK after the rise of 1<sup>st</sup> DE, is displayed on the left edge of the screen.  
The 1<sup>st</sup> data corresponding to one horizontal line after the rise the of 1<sup>st</sup> DE is displayed at the top line of screen.
- 2.) If a period of DE “High” is less than 1366 DCLK or less than 768 lines, the rest of the screen displays black.
- 3.) The display position does not fit to the screen if a period of DE “High” and the effective data period do not synchronize with each other.



### 3-4 Signal Timing Waveforms





### 3-5 Color Input Data Reference

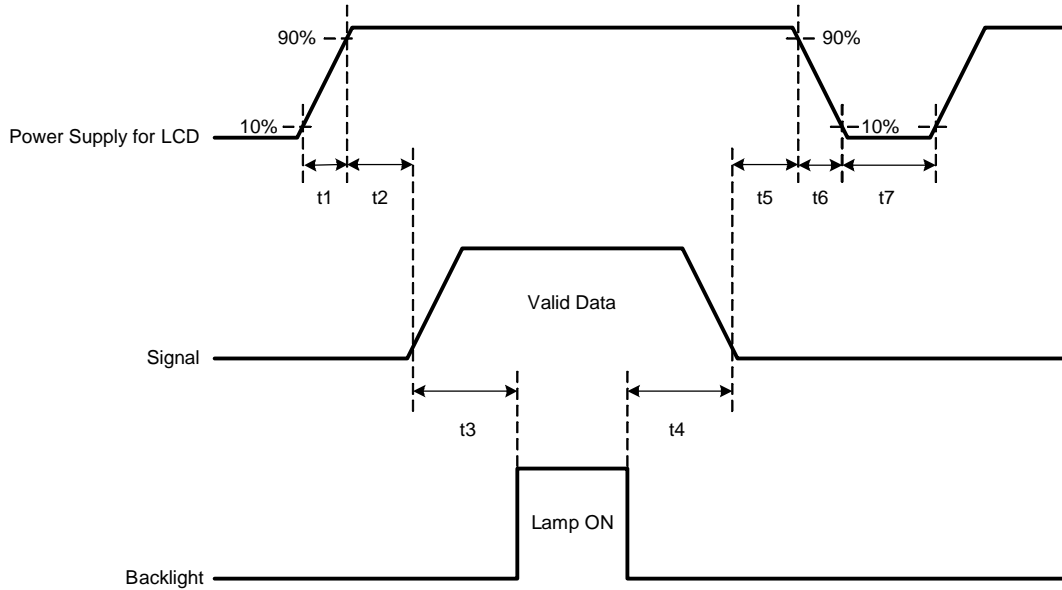
The brightness of each primary color (red, green and blue) is based on the 8 bit gray scale data input for the color; the higher the binary input, the brighter the color. The table below provides a reference for color versus data input.

#### COLOR DATA REFERENCE

Color		Input Color Data																							
		RED								GREEN								BLUE							
		MSB				LSB				MSB				LSB				MSB				LSB			
		R7	R6	R5	R4	R3	R2	R1	R0	G7	G6	G5	G4	G3	G2	G1	G0	B7	B6	B5	B4	B3	B2	B1	B0
Basic Color	Black	0	0	0	0	0	0	0	0	0	0	0	0	0	0	0	0	0	0	0	0	0	0	0	0
	Red(255)	1	1	1	1	1	1	1	1	0	0	0	0	0	0	0	0	0	0	0	0	0	0	0	0
	Green(255)	0	0	0	0	0	0	0	0	1	1	1	1	1	1	1	1	0	0	0	0	0	0	0	0
	Blue(255)	0	0	0	0	0	0	0	0	0	0	0	0	0	0	0	0	1	1	1	1	1	1	1	1
	Cyan	0	0	0	0	0	0	0	0	1	1	1	1	1	1	1	1	1	1	1	1	1	1	1	1
	Magenta	1	1	1	1	1	1	1	1	0	0	0	0	0	0	0	0	1	1	1	1	1	1	1	1
	Yellow	1	1	1	1	1	1	1	1	1	1	1	1	1	1	1	1	0	0	0	0	0	0	0	0
	White	1	1	1	1	1	1	1	1	1	1	1	1	1	1	1	1	1	1	1	1	1	1	1	1
RED	RED(000)	0	0	0	0	0	0	0	0	0	0	0	0	0	0	0	0	0	0	0	0	0	0	0	0
	RED(001)	0	0	0	0	0	0	0	1	0	0	0	0	0	0	0	0	0	0	0	0	0	0	0	0
	----																								
	RED(254)	1	1	1	1	1	1	1	0	0	0	0	0	0	0	0	0	0	0	0	0	0	0	0	0
	RED(255)	1	1	1	1	1	1	1	1	0	0	0	0	0	0	0	0	0	0	0	0	0	0	0	0
GREEN	GREEN(000)	0	0	0	0	0	0	0	0	0	0	0	0	0	0	0	0	0	0	0	0	0	0	0	0
	GREEN(001)	0	0	0	0	0	0	0	0	0	0	0	0	0	0	0	1	0	0	0	0	0	0	0	0
	----																								
	GREEN(254)	0	0	0	0	0	0	0	0	1	1	1	1	1	1	1	0	0	0	0	0	0	0	0	0
	GREEN(255)	0	0	0	0	0	0	0	0	1	1	1	1	1	1	1	1	0	0	0	0	0	0	0	0
BLUE	BLUE(000)	0	0	0	0	0	0	0	0	0	0	0	0	0	0	0	0	0	0	0	0	0	0	0	0
	BLUE(001)	0	0	0	0	0	0	0	0	0	0	0	0	0	0	0	0	0	0	0	0	0	0	0	1
	-----																								
	BLUE(254)	0	0	0	0	0	0	0	0	0	0	0	0	0	0	0	0	1	1	1	1	1	1	1	0
	BLUE(255)	0	0	0	0	0	0	0	0	0	0	0	0	0	0	0	0	1	1	1	1	1	1	1	1



### 3-6 Power Sequence

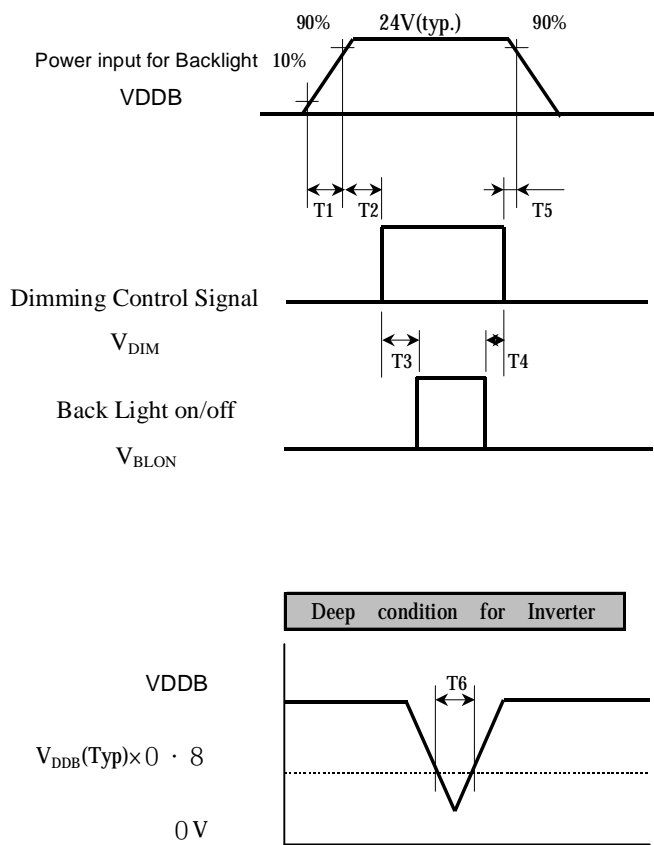


Parameter	Values			Units
	Min.	Typ.	Max.	
t1	470		5000	us
t2	20		50	ms
t3	350			ms
t4	10			ms
t5	1		50	ms
t6			300	ms
t7	1			s

- (1) Apply the lamp voltage within the LCD operation range. When the back-light turns on before the LCD operation or the LCD turns off before the back-light turns off, the display may momentarily become abnormal screen.



### 3.6.2 Power Sequence for Inverter

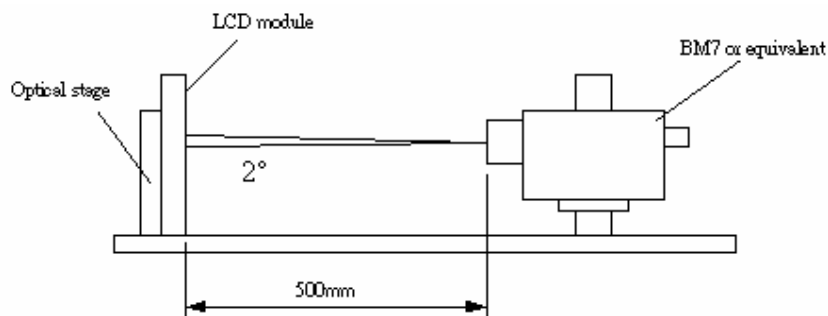


Parameter	Values			Units
	Min.	Typ.	Max.	
T1	20	-	-	ms
T2	50	-	-	ms
T3	0	-	-	ms
T4	0	-	-	ms
T5	0	-	-	ms
T6	-	-	10	ms

## 4. Optical Specification

Optical characteristics are determined after the unit has been 'ON' and stable for approximately 30 minutes in a dark environment at 25°C. The values specified are at an approximate distance 50cm from the LCD surface at a viewing angle of  $\Phi$  and  $\theta$  equal to 0°.

**Fig.1.1 presents additional information concerning the measurement equipment and method.**



Parameter	Symbol	Values			Units	Notes	
		Min.	Typ.	Max.			
Contrast Ratio	CR	800	1000	-		1	
Surface Luminance, white	LWH	400	500	-	cd/m <sup>2</sup>	2	
Luminance Variation	$\delta_{\text{WHITE}}$   9 p	-	-	1.3		3	
Response Time	Rise Time	$T_{\text{R}}$	-	15	18	ms	4
	Decay Time	$T_{\text{D}}$	-	5	7	ms	
	G to G	$T_{\gamma}$	-	6		ms	5
Color Chromaticity	RED	$R_{\text{X}}$	Typ -0.03	0.640	Typ +0.03		
		$R_{\text{Y}}$		0.330			
	GREEN	$G_{\text{X}}$		0.290			
		$G_{\text{Y}}$		0.600			
	BLUE	$B_{\text{X}}$		0.150			
		$B_{\text{Y}}$		0.060			
	WHITE	$W_{\text{X}}$		0.280			
	$W_{\text{Y}}$	0.290					
Viewing Angle							
	x axis, right( $\varphi=0^\circ$ )	$\theta_{\text{r}}$	-	89	-	Degree	6
	x axis, left( $\varphi=180^\circ$ )	$\theta_{\text{l}}$	-	89	-		
	y axis, up( $\varphi=90^\circ$ )	$\theta_{\text{u}}$	-	89	-		
	y axis, down ( $\varphi=0^\circ$ )	$\theta_{\text{d}}$	-	89	-		

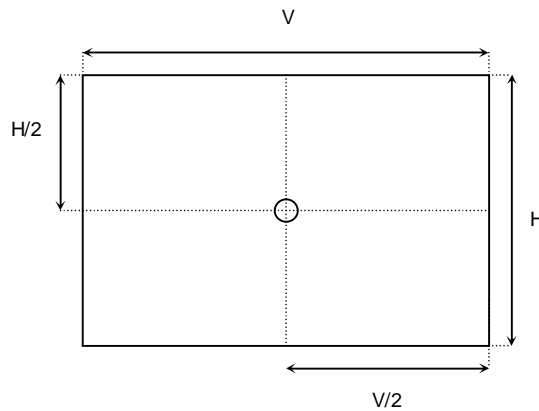


Note: 1. Contrast Ratio (CR) is defined mathematically as:

$$\text{Contrast Ratio} = \frac{\text{Surface Luminance with all white pixels}}{\text{Surface Luminance with all black pixels}}$$

2. Surface luminance is luminance value at point 1 across the LCD surface 50cm from the surface with all pixels displaying white. From more information see FIG 2.
3. The variation in surface luminance,  $\delta_{\text{WHITE(9P)}}$  is defined (center of Screen) as:
 
$$\delta_{\text{WHITE(9P)}} = \frac{\text{Maximum}(L_{\text{on1}}, L_{\text{on2}}, \dots, L_{\text{on9}})}{\text{Minimum}(L_{\text{on1}}, L_{\text{on2}}, \dots, L_{\text{on9}})}$$
 More information pls see Fig.3
4. Response time is the time required for the display to transition from Black to White (Rise Time,  $\text{Tr}_R$ ) and from White to Black (Decay Time,  $\text{Tr}_D$ ). For additional information see FIG4.
5.  $T_\gamma$  is the response time between any two gray scale and is based on  $f_v=120\text{Hz}$  to optimize
6. Viewing angle is the angle at which the contrast ratio is greater than 10. The angles are determined for the horizontal or x axis and the vertical or y axis with respect to the z axis which is normal to the LCD surface. For more information see FIG5.

**FIG. 2 Luminance**



**FIG. 3 Luminance variation**

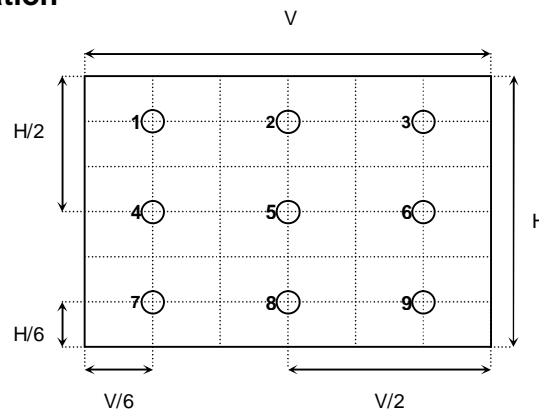




FIG.4 Response Time

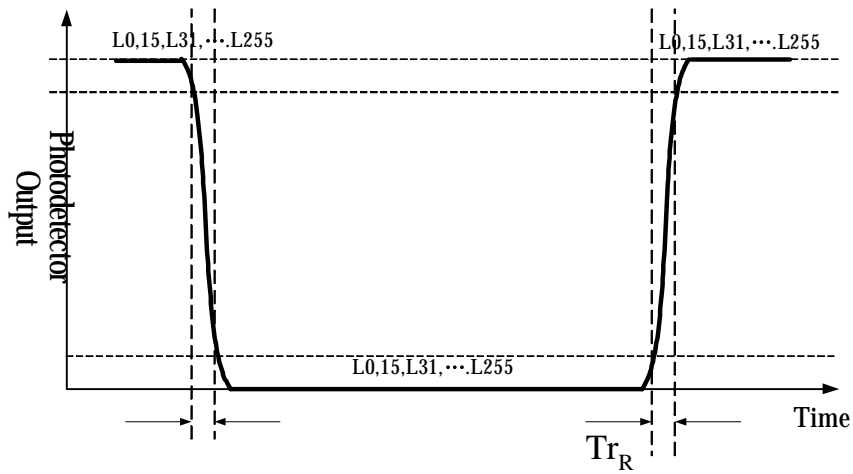
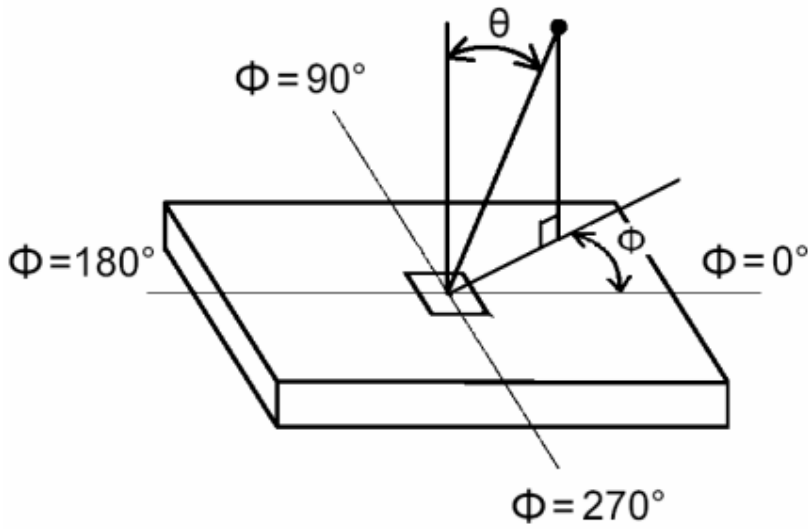


FIG.4 Viewing angle





## 5. Mechanical Characteristics

The contents provide general mechanical characteristics for the model T370XW02 V1. In addition the figures in the next page are detailed mechanical drawing of the LCD.

Outline Dimension	Horizontal	877.0 mm
	Vertical	514.6 mm
	Depth	54.7 mm(with inverter)
Bezel Opening Area	Horizontal	827.8 mm
	Vertical	469.4 mm
Display Active Area	Horizontal	819.6 mm
	Vertical	460.8 mm
Weight	9.8Kg (Typ.)	
Surface Treatment	Hard-Coating (3H), Anti-Glare,	







## 6. Reliability

Environment test condition

No	Test Item	Condition
1	High temperature storage test	Ta=60°C 240h
2	Low temperature storage test	Ta= -20°C 240h
3	High temperature operation test	Ta=50°C 50%RH 240h
4	Low temperature operation test	Ta=0°C 240h
5	Vibration test (non-operating)	Wave form: random Vibration level: 1.5G RMS Bandwidth: 10-500Hz, Duration: X, Y, Z 20min One time each direction
6	Shock test (non-operating)	Shock level: 50G Waveform: half sine wave, 11ms Direction: ±X, ±Y, ±Z One time each direction
7	Vibration test (with carton)	Wave form: random Vibration level: 1.5G RMS Bandwidth: 10-500Hz, Duration: X, Y, Z 30min One time each direction
8	Drop test (with carton)	Height: 53.3cm 1 corner, 3 edges, 6 surfaces (ASTMD4169-I)

{ Result Evaluation Criteria }

There should be no change which might affect the practical display function when the display quality test is conducted under normal operating condition.



## 7. International Standard

### 7-1. Safety

- (1) UL1950 Third Edition, Underwriters Laboratories, Inc. Jan. 28, 1995  
Standard for Safety of Information Technology Equipment Including electrical Business Equipment.
- (2) CAN/CSA C22.2 No. 950-95/60950 Third Edition, Canadian Standards Association,  
Standard for Safety of Information Technology Equipment Including Electrical Business Equipment.
- (3) EN60950 : 1992+A2: 1993+A2: 1993+C3: 1995+A4: 1997+A11: 1997  
IEC 950: 1991+A1: 1992+A2: 1993+C3: 1995+A4:1996  
European Committee for Electrotechnical Standardization (CENELEC)  
EUROPEAN STANDARD for Safety of Information Technology Equipment Including Electrical  
Business Equipment.

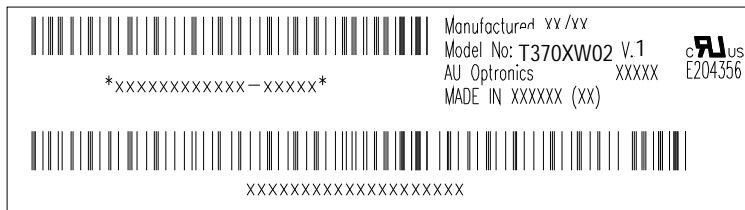
### 7-2. EMC

- a) ANSI C63.4 “Methods of Measurement of Radio-Noise Emissions from Low-Voltage Electrical and Electrical Equipment in the Range of 9kHz to 40GHz. “American National standards Institute (ANSI), 1992
- b) C.I.S.P.R “Limits and Methods of Measurement of Radio Interface Characteristics of Information Technology Equipment.” International Special committee on Radio Interference.
- c) EN 55022 “Limits and Methods of Measurement of Radio Interface Characteristics of Information Technology Equipment.” European Committee for Electrotechnical Standardization. (CENELEC), 1998



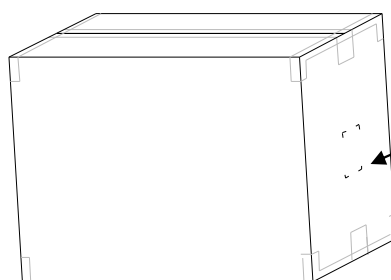
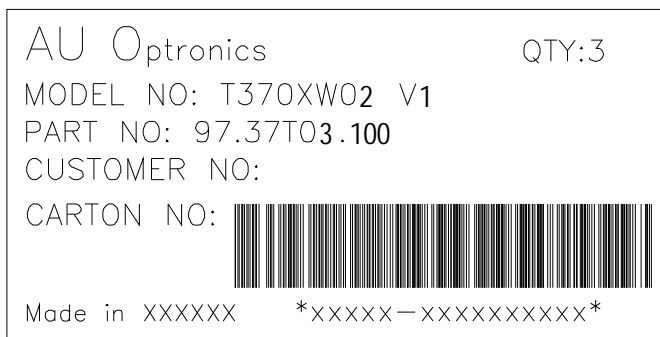
## 8. Packing

Label : 83mm \* 23mm



- 1 **TW5A031 00039- ZMA**  
 TW5A031: Production Lot  
 00039: Panel serial number  
 ZMA:AUO internal code
- 2 Manufactured 05/44: 2005 week 44

Carton Label :100mm \* 120mm



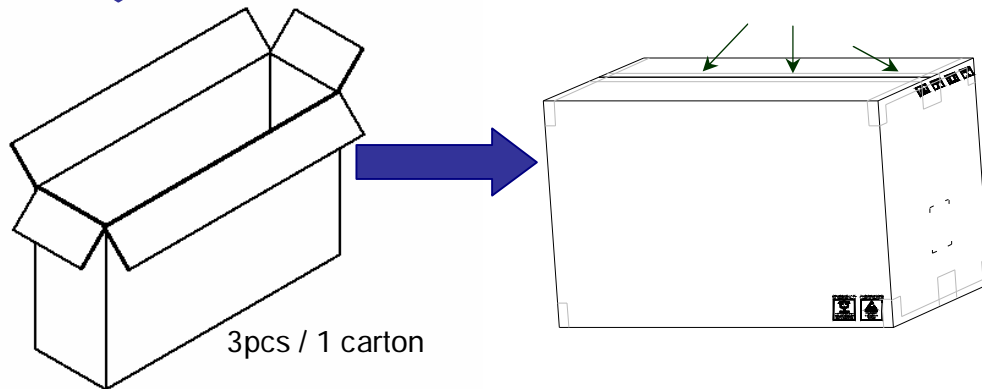
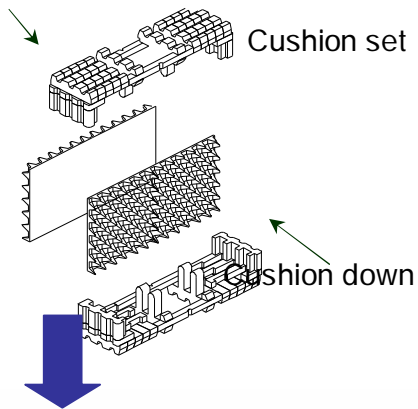
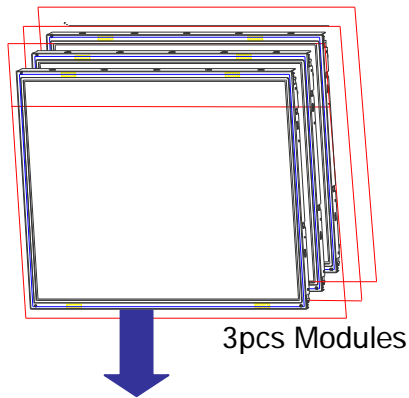
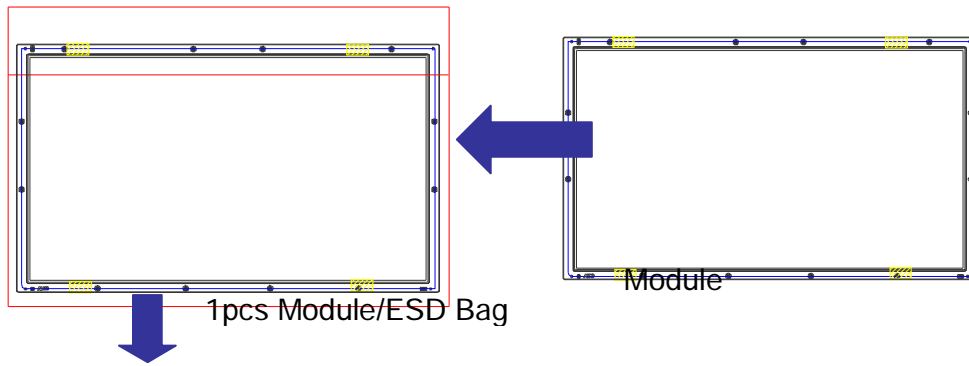
Carton label alignment mark

Carton Size

**965(L)mm\*280(W)mm\*662(H)mm**

Pallet Size

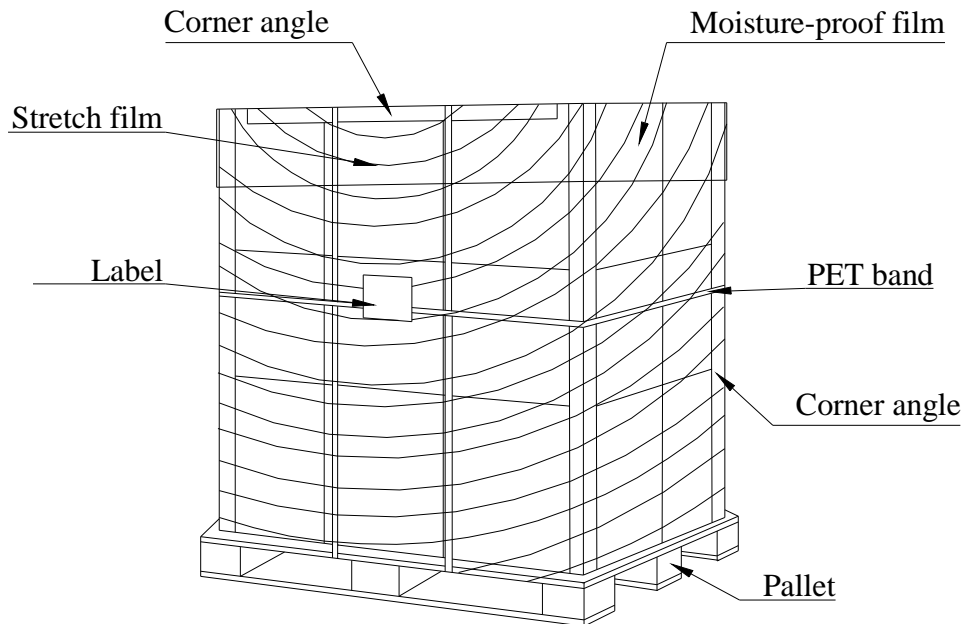
**1130(L)mm\*980(W)mm\*123(H)mm**





By Air : 1 pallet + 4 box 2 layers ( 8\*3=24 pcs module)

By Sea : 1 pallet + 4 box 3 layers (12\*3=36 pcs module)



## 9. PRECAUTIONS

Please pay attention to the followings when you use this TFT LCD module.

### 9-1 MOUNTING PRECAUTIONS

- (1) You must mount a module using holes arranged in four corners or four sides.
- (2) You should consider the mounting structure so that uneven force (ex. Twisted stress) is not applied to module. And the case on which a module is mounted should have sufficient strength so that external force is not transmitted directly to the module.
- (3) Please attach the surface transparent protective plate to the surface in order to protect the polarizer. Transparent protective plate should have sufficient strength in order to resist external force.
- (4) You should adopt radiation structure to satisfy the temperature specification.
- (5) Acetic acid type and chlorine type materials for the cover case are not desirable because the former generates corrosive gas of attacking the polarizer at high temperature and the latter causes circuit break by electro-chemical reaction.
- (6) Do not touch, push or rub the exposed polarizers with glass, tweezers or anything harder than HB pencil lead. And please do not rub with dust clothes with chemical treatment. Do not touch the surface of polarizer for bare hand or greasy cloth. (Some cosmetics are detrimental to the polarizer.)
- (7) When the surface becomes dusty, please wipe gently with absorbent cotton or other soft materials like chamois soaks with petroleum benzene. Normal-hexane is recommended for cleaning the adhesives used to attach front/ rear polarizers. Do not use acetone, toluene and alcohol because they cause chemical damage to the polarizer.
- (8) Wipe off saliva or water drops as soon as possible. Their long time contact with polarizer causes deformations and color fading.
- (9) Do not open the case because inside circuits do not have sufficient strength.



## **9-2 OPERATING PRECAUTIONS**

- (1) The spike noise causes the mis-operation of circuits. It should be lower than following voltage:  
 $V = \pm 200\text{mV}$  (Over and under shoot voltage)
- (2) Response time depends on the temperature. (In lower temperature, it becomes longer.)
- (3) Brightness depends on the temperature. (In lower temperature, it becomes lower.) And in lower temperature, response time (required time that brightness is stable after turned on) becomes longer.
- (4) Be careful for condensation at sudden temperature change. Condensation makes damage to polarizer or electrical contacted parts. And after fading condensation, smear or spot will occur.
- (5) When fixed patterns are displayed for a long time, remnant image is likely to occur.
- (6) Module has high frequency circuits. Sufficient suppression to the electromagnetic interference shall be done by system manufacturers. Grounding and shielding methods may be important to minimize the interface.

## **9-3 ELECTROSTATIC DISCHARGE CONTROL**

Since a module is composed of electronic circuits, it is not strong to electrostatic discharge. Make certain that treatment persons are connected to ground through wrist band etc. And don't touch interface pin directly.

## **9-4 PRECAUTIONS FOR STRONG LIGHT EXPOSURE**

Strong light exposure causes degradation of polarizer and color filter.

## **9-5 STORAGE**

When storing modules as spares for a long time, the following precautions are necessary.

- (1) Store them in a dark place. Do not expose the module to sunlight or fluorescent light. Keep the temperature between  $5^{\circ}\text{C}$  and  $35^{\circ}\text{C}$  at normal humidity.
- (2) The polarizer surface should not come in contact with any other object. It is recommended that they be stored in the container in which they were shipped.

## **9-6 HANDLING PRECAUTIONS FOR PROTECTION FILM**

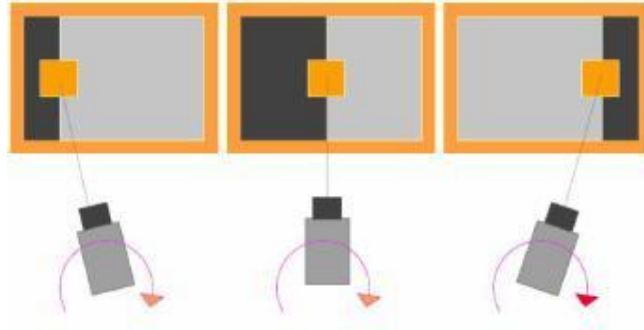
- (1) The protection film is attached to the bezel with a small masking tape. When the protection film is peeled off, static electricity is generated between the film and polarizer. This should be peeled off slowly and carefully by people who are electrically grounded and with well ion-blown equipment or in such a condition, etc.
- (2) When the module with protection film attached is stored for a long time, sometimes there remains a very small amount of flue still on the Bezel after the protection film is peeled off.
- (3)** You can remove the glue easily. When the glue remains on the Bezel or its vestige is recognized, please wipe them off with absorbent cotton waste or other soft material like chamois soaked with normal-hexane.

## MPRT : Moving Picture Response Time

MPRT Definition : Moving picture response time is the average value of 16\*16 gray to gray table.

The table is measured@ 25 DegC room temperture after 1 hr panel warm-up.

Equipment : MPRT-1000 with CCD Camera and Galvano meter mirror



**AUO Measured data : 8.5 ms**