

# Power Inverter

## PI-TT-200LB

### FUNCTIONAL DRAFT SPECIFICATION

(This document is meant for customers' approval)

THIS DOCUMENT CONTAINS PROPRIETARY INFORMATION WHICH IS SOLELY OWENED BY 'GLOBAL BUSINESS'. ANY UNAUTHORISED COPY OR PRINTING OR PUBLISHING OF INFORMATION IN THIS DOCUMENT IN PART OR IN COMPLETE IS RESTRICTED.

---

(Customer Approval)

GLOBAL BUSINESS & TECHNOLOGIES LTD.

HONG KONG

MUMBAI

SHENZHEN

Email: [sales@gblcd.com](mailto:sales@gblcd.com); URL: [www.gblcd.com](http://www.gblcd.com)

## FEATURES

- DC to AC inverters
- Output 2 CCFL tubes
- Applicable panel size: 14 to 19-inch
- With brightness control function (Pulse Wide Modulation mode)
- Application: LCD Monitor, Industrial Displays

## INPUT CHARACTERISTIC

Parameter	Symbol	Min	Typ	Max	Unit	Remark
Input Voltage	$V_{in}$	10.5	12	14.5	V	
Input Current	$I_{in}$	—	1.7	2.1	A	$V_{in} = 12V$
Input Power	$P_{in}$	—	20.4	30.5	W	
Input voltage	$V_{on/off}$	1.0	5	$V_{in}$	V	ON State
On/off control		0	0.3	0.5		OFF State
Input Current	$I_{on/off}$	—	200	300	uA	ON State
		—	200	300		OFF State
Vbr Current	$I_{br}$	80	200	—	uA	
Brightness Control Voltage	$V_{br}$	—	0	—	V	Max brightness
		—	5	—		Min brightness

## OUTPUT CHARACTERISTIC

Parameter	Symbol	Min	Typ	Max	Unit	Remarks
Lamp current	I <sub>lamp</sub>	6.5	7.0	7.5	mArms	V <sub>in</sub> =12V V <sub>br</sub> =0V
Lamp current	I <sub>lamp</sub>	2.0	2.3	2.6	mArms	V <sub>in</sub> =12V V <sub>br</sub> =5V
Frequency	F <sub>lamp</sub>	45	50	60	KHz	V <sub>in</sub> =12V V <sub>br</sub> =0V
Lamp voltage	V <sub>lamp</sub>	—	700	—	V <sub>rms</sub>	V <sub>in</sub> =12V
Open voltage	V <sub>open</sub>	1700	—	—	V <sub>rms</sub>	V <sub>in</sub> =12V

Note: All conditions are 25°C ambient

## TEMPERATURE AND HUMIDITY RANGES

Parameter	Features	Min	Max	Unit
Temperature	Operating	0	+ 50	°C
Temperature	Storage	-25	+ 75	°C
Humidity	Operating	10%	90%	RH
Humidity	Storage	10%	90%	RH

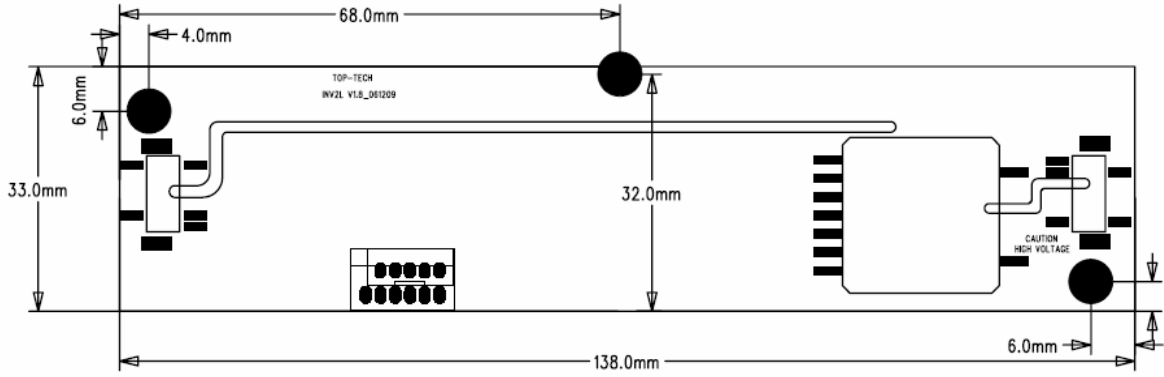
## TERMINAL NUMBERS AND FUNCTIONS

PIN NUMBER	FUNCTION		PIN NUMBER	FUNCTION
CN1—1	VIN		CN1—4	GND
CN1—2	GND		CN1—5	ON/OFF
CN1—3	GND			

PIN NUMBER	FUNCTION		PIN NUMBER	FUNCTION
CN2/3-1/3	HV		CN2/3-2/4	RTH
CN2/3-1/2	HV		CN2/3-3/4	RTH

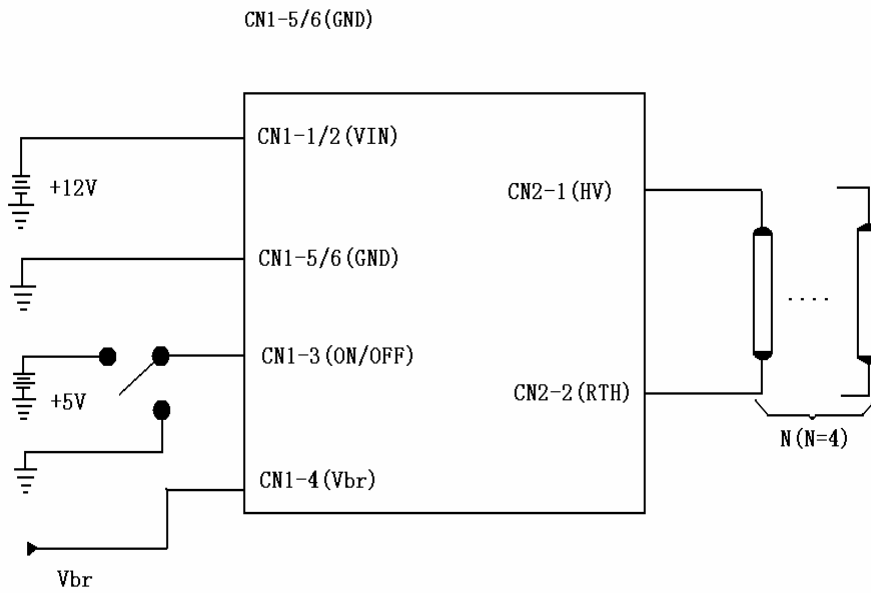
SYMBOL	CONNECTOR		SYMBOL	CONNECTOR
CN1	PH2.0-6AY		CN2	SM02(4.0)B-BHS-1-TB SM02B-BHSS-1-TB

# OUTLINE DIMENSIONS



DIMENSIONS: L x W x H = 138.0mm x 33.0mm x 10mm

# TYPICAL CONNECTIONS



以四灯窄口为例

## PRECAUTIONS

1. For safety, keep inverter module at least 4.0mm away from all other metal parts. Alternatively put a high-voltage insulator between the inverter and the metal parts to avoid the situation of Hi-POT failure or arcing.
2. Do not twist, deform, drop or knock the inverter during assembly.
3. The inverter is usually designed without the case. Please take care about ESD at all time.
4. The Brightness is sensitive to Temperature depending on the characteristics of the LCD panel. You must measure it in the same conditions and wait for 10-30 mins before the brightness can be maximum.